

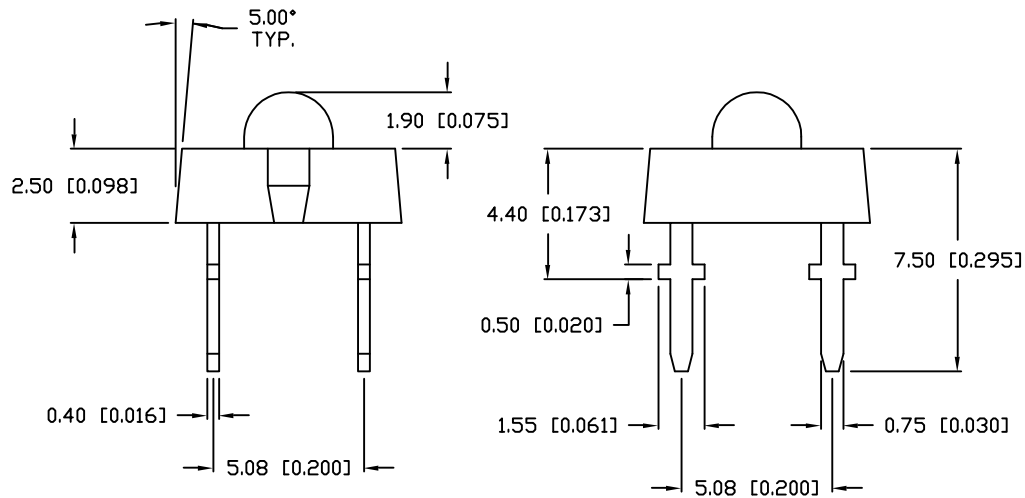
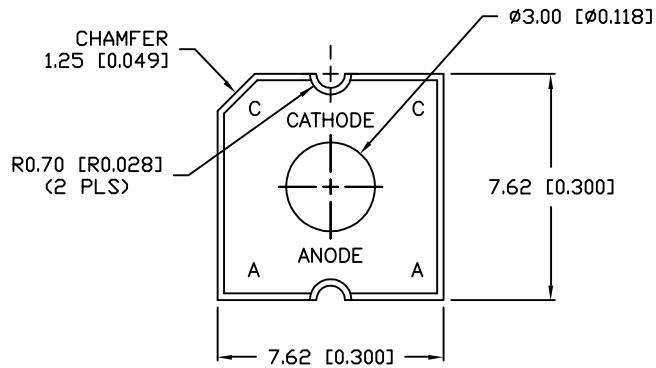
DATE

REVISIONS

REV

DRAWING NUMBER
SSL-LX30448SRC

REV

ELECTRO-OPTICAL CHARACTERISTICS $T_A=25^{\circ}\text{C}$ $I_f=20\text{mA}$

| PARAMETER | MIN | TYP | MAX | UNITS | TEST COND |
|-----------------------------------|-------------|-----------|------|----------|---------------------|
| PEAK WAVELENGTH | | 660 (RED) | | nm | |
| FORWARD VOLTAGE | | 1.80 | 2.00 | V_f | $I_f=20\text{mA}$ |
| | | 2.25 | 2.75 | V_f | $I_f=70\text{mA}$ |
| REVERSE VOLTAGE | 5.0 | | | V_r | $I_r=10\mu\text{A}$ |
| LUMINOUS INTENSITY | | 1250 | | mcd | $I_f=70\text{mA}$ |
| TOTAL FLUX | | 1560 | | mlm | $I_f=70\text{mA}$ |
| LUMINOUS INTENSITY/ TOTAL FLUX | | 0.80 | | mcd/mlm | |
| VIEWING ANGLE | | 50 | | 2x theta | |
| EMITTED COLOR: | RED | | | | |
| EPOXY LENS FINISH: | WATER CLEAR | | | | |

LIMITS OF SAFE OPERATION AT 25°C

| PARAMETER | MAX | UNITS |
|--------------------------|------------|------------|
| PEAK FORWARD CURRENT* | 160 | mA |
| STEADY CURRENT | 70 | mA |
| POWER DISSIPATION | 100 | mW |
| DERATE FROM 25°C | -2.0 | mW/°C |
| OPERATING, STORAGE TEMP. | -40 TO +85 | °C |
| SOLDERING TEMP. | +260 | °C |
| 2.0mm FROM BODY | | 3 SEC. MAX |

* $t < 10\mu\text{s}$

RELIABILITY NOTE

OUR MANY YEARS OF EXPERIENCE DATA ACCUMULATION INDICATE THAT SOLDER HEAT IS A MAJOR CAUSE OF EARLY AND FUTURE FAILURE. PLEASE PAY ATTENTION TO YOUR SOLDERING PROCESS.

LUMEX
INCORPORATED

290 E. HELLEN ROAD
PALATINE, ILLINOIS 60067
(847) 359-2790

CONFIDENTIAL INFORMATION
THE INFORMATION CONTAINED IN THIS DOCUMENT IS THE PROPERTY OF LUMEX INCORPORATED. EXCEPT AS SPECIFICALLY AUTHORIZED IN WRITING BY LUMEX INCORPORATED, THE HOLDER OF THIS DOCUMENT SHALL KEEP ALL INFORMATION CONTAINED HEREIN CONFIDENTIAL AND SHALL PROTECT SAME IN WHOLE OR IN PART FROM DISCLOSURE AND DISSEMINATION TO ALL THIRD PARTIES.

| | | | |
|--------------|------|--------|-------|
| DATE: 1-5-98 | DWN: | CHK'D: | APPD: |
| SCALE: N/A | | | |

T-7.6 x 7.6mm LED, SUPER RED,
WATER CLEAR LENS.

PAGE 1 OF 1

DRAWING NUMBER
SSL-LX30448SRC

REV

UNLESS OTHERWISE SPECIFIED TOLERANCE IS $\pm 0.25\text{mm}$ ($\pm 0.010''$)

DU